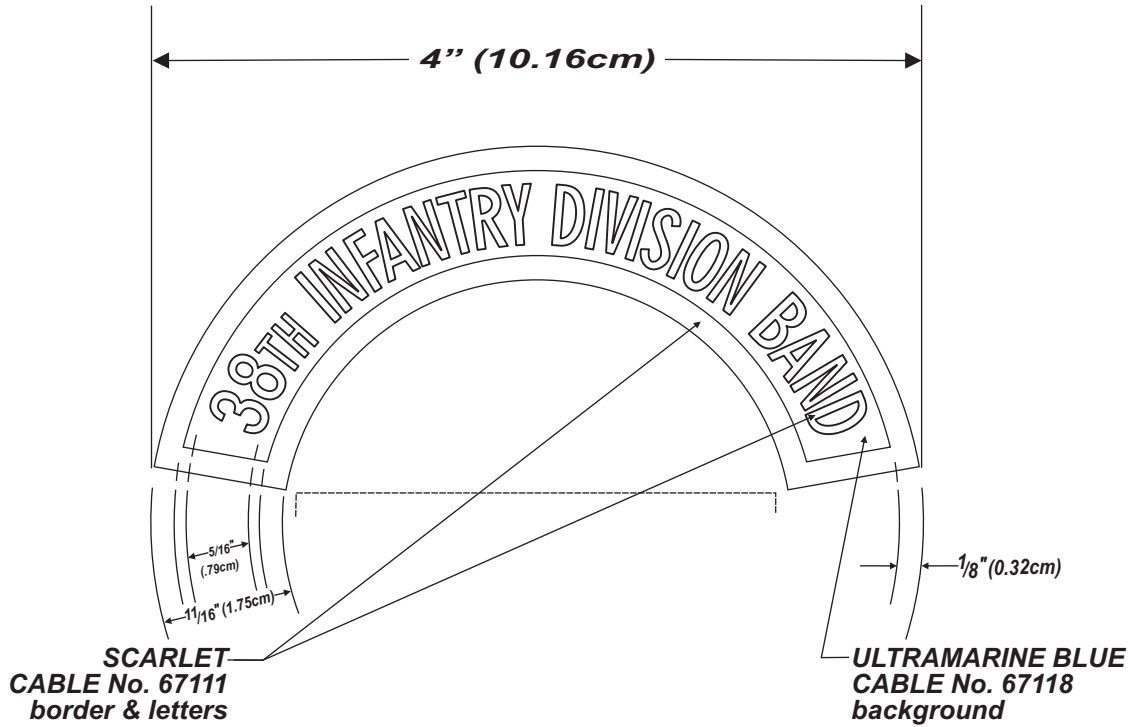


FOR SUBDUED INSIGNIA

ACU:
 BLUE AREAS TO BE FOLIAGE
 GREEN 67202. RED AREAS TO BE
 BLACK 67138.

REVISIONS			
LTR	DESCRIPTION	DATE	APPROVED
B	STITCH COUNT ADDED.	24 MAY 2011	<i>pm</i> SAO CHARLES V. MUGNO DIRECTOR



DESIGNED FOR OVEREDGE STITCHING

STITCH COUNT

4241 STITCHES (minimum)
90/2 DENIER
8/4 SPAN

UNLESS OTHERWISE SPECIFIED DIMENSIONS ARE IN INCHES TOLERANCES ON FRACTIONS DECIMALS ANGLES

MATERIALS:
 TO BE MANUFACTURED IN ACCORDANCE WITH MIL-DTL-14652

EXAMINED	TLC	
CHECKED	pm	SAO
PREPARED	SNP	
APPROVED <i>Charles V. Mugno</i> CHARLES V. MUGNO DIRECTOR		

THE INSTITUTE OF HERALDRY, DEPARTMENT OF THE ARMY
 9325 GUNSTON RD, RM S-113 FORT BELVOIR, VA 22060-5579

TAB

38TH INFANTRY DIVISION BAND

SIZE	CONTROL IDENT. NO	A - 1 - 1043
A	22571	
SCALE	FULL	DATE
		18 JANUARY 2011

CANCELLED EFFECTIVE 25 OCTOBER 2011